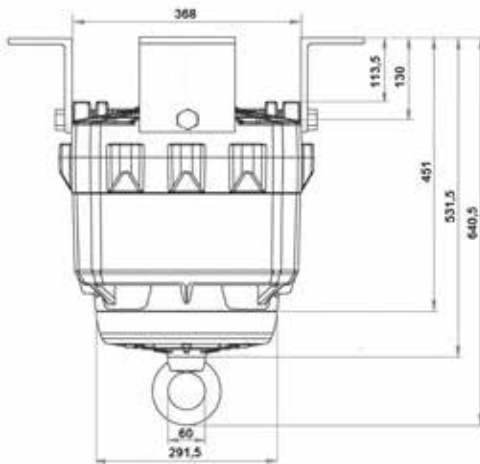
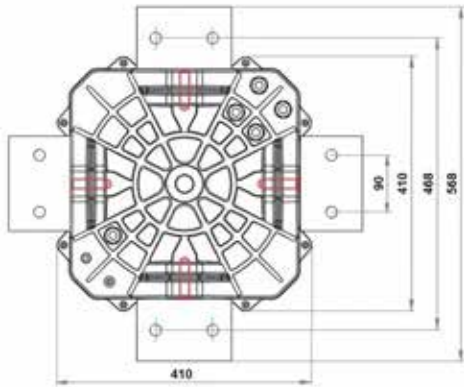


# Technical Information

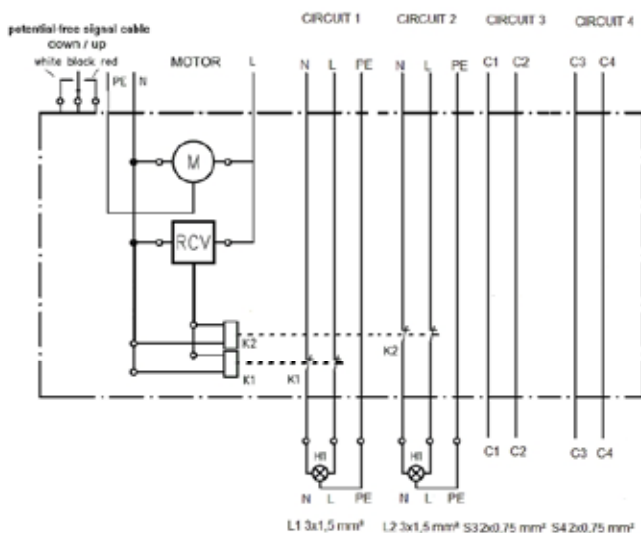
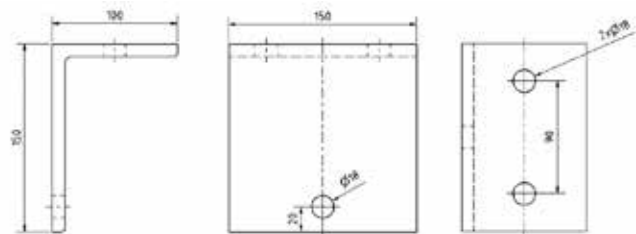
The Super Heavy Duty series has four separate two pole lighting circuits. Each of which can be used for a power supply for lighting circuits or for auxiliary control or signal.  
 The motor and lighting circuits have their own supply cables to allow individual circuit protection.



Reel Tech Lighting-Lifts

### Mounting kit MB-D

For Super Heavy Duty type, consists of 4 x 150 x 100 x 150 x 10 mm; angle brackets 4 M16 x 30mm bolts



L1 3x1,5 mm<sup>2</sup> L2 3x1,5 mm<sup>2</sup> S3 2x0,75 mm<sup>2</sup> S4 2x0,75 mm<sup>2</sup>

### WR PFI dummy weight holder

WR PFI holds 5 x 20 kg dumbbell weights. 170mm ø x 340mm height  
 White, RAL 9010.  
 Weights not supplied.

