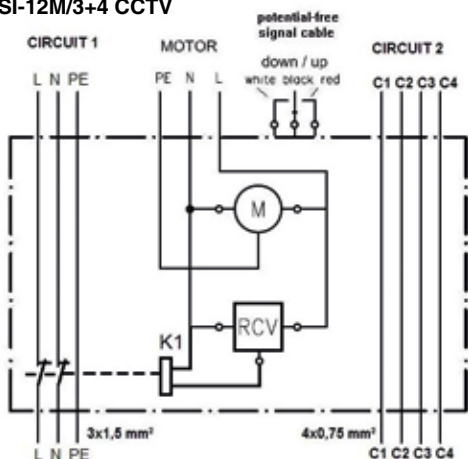


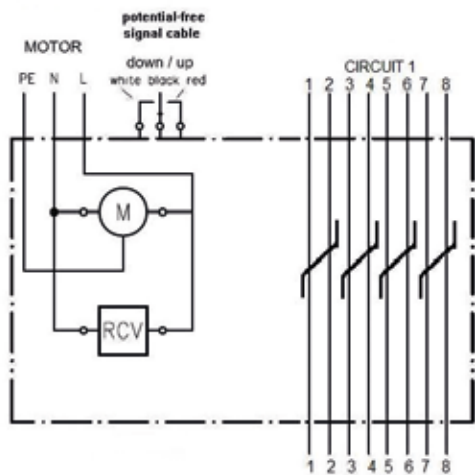
CCTV Lift for analogue cameras and IP/PoE / CAT5

Ideal for maintaining and cleaning of CCTV and Audio equipment. Secure contact prevents image distortion when used with CCTV systems. Meets the requirements for CAT-5 applications and PoE.

CSI-12M/3+4 CCTV



CSI-12M/CAT5 CCTV



Dimensions: see CSI-12 M (p.9)

CCTV-Lift	CSI-12M/3+4 CCTV	CSI-12M/CAT5 CCTV
Lifting capacity	5-12 kg	5-12 kg
Lowering distance	15 m	15 m
Suspension cable	single	single
Motor supply and lighting circuit	separate	separate
Power supply motor	100-277 V AC / 50-60Hz; 30W	
Belastung Hauptstromkreis	16A, 230V AC	-
Auxiliary contacts / capacity	6A, 42V AC	PoE
Protection category / class	IP 54/I	IP 54/I
Temperature range	-15 °C to + 60 °C	-15 °C to + 60 °C
Net weight / with packaging	3,5 / 3,9 kg	3,5 / 3,9 kg